

Hint: Watch other players' trays. If you see someone close to emptying their tray you need to try to bounce your balls so that they drop into their tray to stop them winning.

WINNING

The first player to empty their tray and close their pivoting door is the winner.

This is a simple game that's just wildly fun and funny. We have made the balls different colours so that you can invent your own rules – which we would love to hear about on our Facebook page.



See more fun games at www.drumondpark.com

Customer service: Drumond Park, PO Box 164, HOCKLEY,
Essex SS5 4BA, UK. Phone: 01702 200 660.

Under licence from Drumond International Pte Ltd.
©2017 Drumond International Pte Ltd.

**WARNING! Not suitable for children under 36 months
due to small parts and small balls. Choking Hazard.**

Colour and contents may vary from those shown.
Please retain this information for future reference. Made in China.



Item no: 2040

170517

KING PONG

Ages 8+ For 2-4 players

CONTENTS

- Unit base and lid
- 4 x corner posts
- 4 x clear windows
- 4 x trays
- Central pyramid (in two parts)
- 4 x pivoting doors
- 2 x blocking triangles
- 5 x yellow balls
- 5 x green balls
- 5 x blue balls
- 5 x white balls

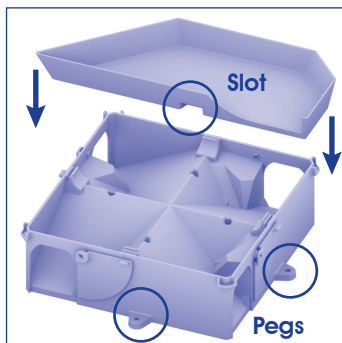
AIM OF THE GAME

To get rid of your King Pong balls by bouncing them into the unit faster than they roll back out into your tray. The first player to empty their tray and close their door is the winner.

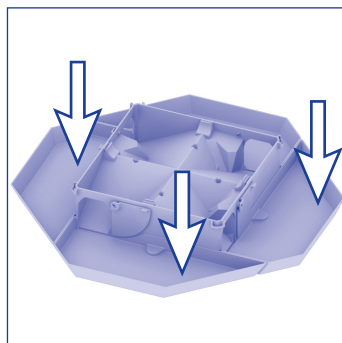
PREPARATION

Place the assembled unit (see next page) in the middle of all the players making sure that each of you is squarely facing one side. Each player picks a set of coloured balls and puts them into the tray in front of them.

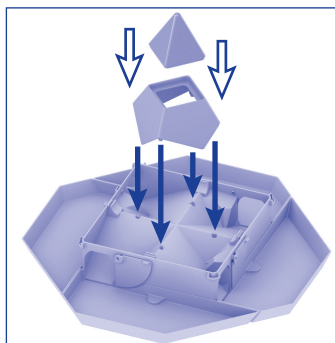
ASSEMBLY



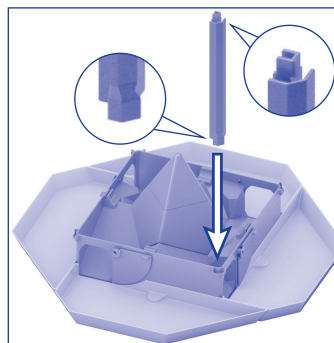
1. Attach a tray to the base by joining its slot onto the corresponding peg.



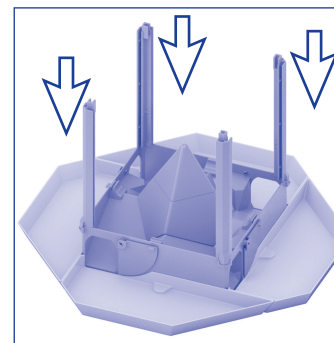
2. Assemble the other three trays the same way.



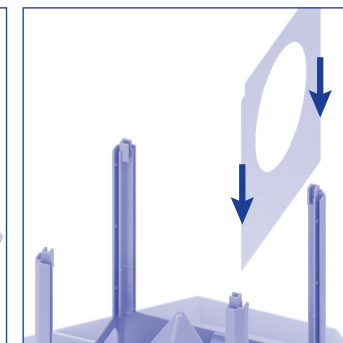
3. Attach the bottom part of the pyramid to the base. Then add the top part.



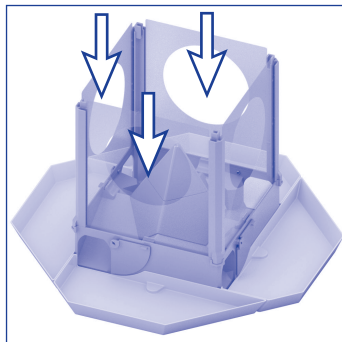
4. Plug a window holder into its slot in the corner of the base.



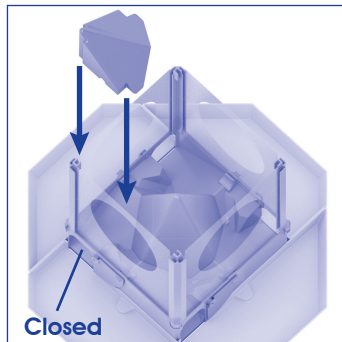
5. Add the other three window holders. Peel film backing from the four windows.



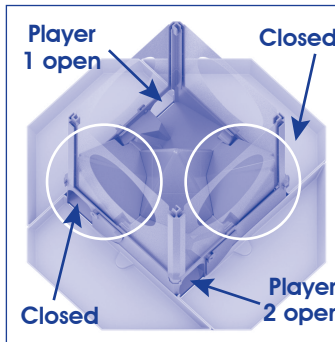
6. Slide a window into the slots of the window holders, as shown.



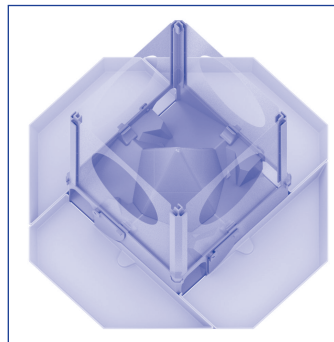
7. Add the other three windows.



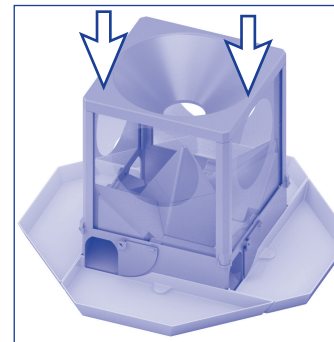
8. For a three player game you will need to insert a blocker to close off one tray.



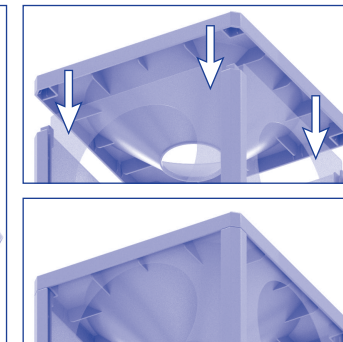
9. For two players you will need two blockers to close off two opposite trays.



10. For a four player game no blockers are needed.



11. Place the lid on top, inserting the top ends of the holders into the corners.



12. Align the windows with their lid slots. Lid placing is easier with two people.

BALL-BOUNCING RULES

You must always pick up and throw the balls with **ONLY ONE HAND**. You can bounce the balls into the unit either through the hole in the side facing you or bounce balls up and into the hole in the top of the unit. You **CANNOT** bounce balls into the side holes facing other players.

PLAYING THE GAME

Agree on an official starter. The starter shouts "KING PONG" and everyone at once starts bouncing their balls into the unit trying to empty their tray.

If a ball drops on the floor, the player who threw the ball must immediately go and pick it up and get back to the game as quickly as possible.

Continued >